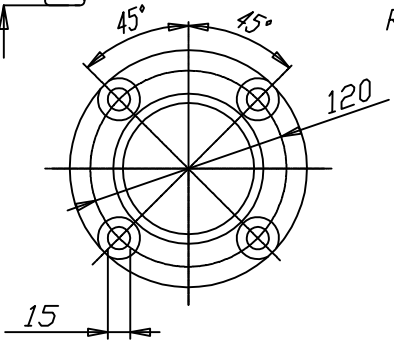
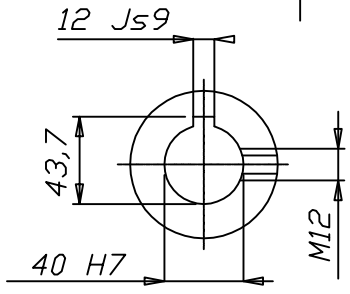




RIF. L40 08

RIF. M85 08



WARNING!
 SECTIONS OF THE ASSEMBLY MARKED  ARE NOT SHIELDED AND MUST BE SHIELDED BY AN INTERACTIVE GUARDING SYSTEM BINACCHI Srl DECLINES RESPONSIBILITY IF PROPER GUARD ARE NOT PROVIDED OR MAINTAINED.



TIPO-TYPE TYP B8	CLIENTE-CUSTOMER-CLIENT-KUNDE DANI-TECH A/S -DK-		DATA 09/05/19								
	RIF.CLIENTE-CUSTOMER REF.-REF.CLIENT-BEZUG KUNDE	ORIGINE	VISTO								
MODIFICHE-MODIFICATIONS-ANDERUNGEN-MODIFICACIONES <table border="1"> <tr><td> </td><td> </td></tr> <tr><td> </td><td> </td></tr> <tr><td> </td><td> </td></tr> <tr><td> </td><td> </td></tr> </table>											 CODICE C.E.D. B8N167CEL40M85
POTENZA : 95 Cv (540 g/min) COPPIA : 1240 Nm (540 g/min)	NOTE :										

